

**TEXAS  
VHF-FM  
SOCIETY**

# NEWS

## **SOUTHEASTERN REPEATER ASSOCIATION RESCINDS CONTROVERSIAL REPEATER TONE POLICY**

*The ARRL Letter, Vol. 23, No. 41*

The SouthEastern Repeater Association (SERA) Board of Directors has rescinded a controversial policy that would have amended SERA's coordination policy and guidelines to require CTCSS or DCS receive and transmit tones on all new FM voice repeaters. Existing voice repeaters would have had to comply by July 1, 2006. The Board adopted the "all tone, all the time" policy during its summer meeting in June. SERA President Roger Gregory, W4RWG, said the SERA Board repealed the policy "after much discussion" on October 4.

"We may revisit this issue at a later date, but with input from the membership," Gregory told ARRL. He said that while SERA received many positive comments as well as negative ones, complaints from repeater owners prompted the Board's change of heart on the tone policy.

"Some [repeaters] had been untuned for years without any interference issues," he said. "They did not wish to tone. North Carolina, South Carolina and Tennessee seemed to have more concerned repeater owners."

The largest Amateur Radio repeater coordinating body in the US, SERA provides voluntary frequency coordination for repeaters in Georgia, South Carolina, North Carolina, Kentucky, Tennessee, Mississippi and parts of Virginia and West Virginia. In a letter on the SERA Web site [www.sera.org](http://www.sera.org), Gregory called the tone requirement "just another tool we thought was needed to help us to continue to do our job." He noted that SERA has been requiring tones on 10-meter, 6-meter and 70-cm repeaters "for years."

Some of those upset with SERA's June decision to require tones tried to get the FCC involved. The Amateur Repeater Society of East Tennessee (ARSET), [arset.org](http://arset.org), which sprang up because of the controversy, wanted the FCC to recognize it as the official coordinating body for eastern Tennessee.

FCC Special Counsel for Enforcement Riley Hollingsworth said the Commission does not recognize or certify specific coordinators in the Amateur Service, as it does in the Land Mobile services, and had no plans to get involved in the SERA controversy. But he said requiring tones is a good idea.

"From a spectrum efficiency standpoint, tones will be the wave of the future and have been in regular use in the Land Mobile services for decades," said Hollingsworth, who oversees Land Mobile as well as Amateur Radio Service enforcement. He said if tones will cure an interference case in the Land Mobile services, he tells the parties to implement them.

"It is surprising that tone systems are not used more in the Amateur Service, a service we expect to be on the leading edge of technology instead of being wedded to old ways of doing things," Hollingsworth added. "As for tones, it's only a matter of time, just as it was with transistors and integrated circuits."



TEXAS  
VHF-FM  
SOCIETY

January 15, 2005

Hosted by: The College of Engineering  
The University of Texas at Arlington

# WinterCom '05

More information on back page

**2004-2005  
Texas VHF-FM Society  
Board of Directors**

**President:**

Paul Baumgardner, W5PSB  
12936 Honey Locust Circle  
Euleless, Texas 76040  
(817) 868-7663  
President@txvhffm.org

**Vice President:**

Louis Petit, WB5BMB  
1213 15th Avenue N.  
Texas City, Texas 77590  
(409) 948-0349  
Vicepresident@txvhffm.org

**Secretary:**

Melissa Rasmussen, KM5R  
612 W. Hillcrest  
Keene, Texas 76059  
(817) 253-4848  
Sec@txvhffm.org

**Treasurer:**

Louis Bancook, K5UUT  
2201 Four Hills Court  
Pflugerville, Texas 78660  
(512) 990-7262  
Treas@txvhffm.org

**Editor of NEWS:**

John Johnson, N5NH  
6405 Widgeon Drive  
Plano, Texas 75024  
(972) 370-0765  
NewsEditor@txvhffm.org

**Freq. Coordination Chairman**

Harold Reasoner, K5SXX  
1222 Johnson Dr.  
Fort Worth, Texas 76126  
(817) 249-1880  
k5sxx@itexas.net

**Directors at Large:**

Dave Davis, WB5WIA  
4805 Spring Creek Dr.  
Arlington, Texas 76017  
(817) 272-3299  
wb5wia@arrl.net

Chris Hudgins, N5IUF  
P.O. Box 802894  
Dallas, Texas 75380  
(214) 207-7500  
n5iuf@arrl.net

Don Stevenson, N5XWD  
1504 Tanglewood Drive  
Allen, TX 75002  
(214) 547-9076  
donstevenson@email.com

# President's Line

*Paul Baumgardner, W5PSB, President*

Since the last newsletter, we have had a Board of Director's Meeting and are in preparation for the Winter Meeting that will be held in Arlington again this year. Please plan on attending the Winter Meeting on January 15, 2005 at the University of Texas at Arlington.

I would like to recognize our new BOD member, Dave Davis, WB5WIA, and our new Zone 1 UHF Frequency Coordinator, Chris Hudgins, N5IUF. Both will bring some new energy to these positions and help move Society business forward.

The main thrust of activities has been around the annual renewal process. Annual Repeater Renewals were mailed out and many have been returned. If you have not returned your renewal, please do so.

Organizational members are a personal goal of mine. I believe that we need to get the organizations across the State that actively sponsor a repeater system to become a part of the Society. These organizations and their members are affected by the coordination process and any new standards that we may implement. I have had the opportunity to address a few organizations over the last two months and have walked away with a couple of Affiliated Group Memberships. Please take the time to consider that joining the Society is only \$10 per year and a life membership is \$150. For an organization that sponsors a repeater or several repeaters, participating in the process of repeater coordination is very important.

The 40<sup>th</sup> Anniversary Committee is beginning to take shape. Merle Taylor, WB5EPI and Eric Schmidt, KA5WMY have agreed to co-Chair the committee. Several members have been approached about serving on the committee and that should be getting organized over the next couple of months.

We have some important votes coming up at the Winter Meeting. The first two changes are to the Standards of Frequency Coordination: the addition of a requirement that coordinates be presented in Degree-Minute-Second and in NAD83/WGS84 format, and the addition of the entire Band Plans into the Standard. Both of these proposals are not supported by your Board of Directors. Both proposals are not needed at this time. The third item is the addition of Non-Disclosure language to the By-Laws for handling Society Data such as the Frequency Coordination Database and the Membership Database. This proposal has been reviewed by outside counsel and discussed at the Summer Meeting in Austin. Please plan on hearing more discussion of this proposal at the Winter Meeting. Repeater Trustees will be receiving a non binding poll on these three issues. Please respond so that your opinions are known to the group.

In closing, I continue to talk to Society Members about our direction and how we are doing. Please let me know if you have concerns or input on what we are trying to accomplish.

**Texas VHF-FM Society Committees**

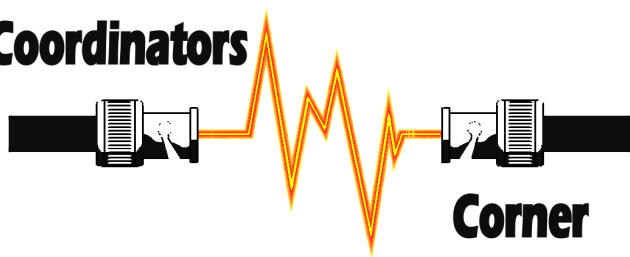
Frequency Coordination Committee Chairman\*  
Database Committee Chairman\*  
Technical Committee Chairman\*  
Parliamentarian  
Trustee (W5OGZ)  
Election Committee Chairman  
Publications Committee Chairman  
Ad-Hoc Survey Committee Chairman

Harold Reasoner, K5SXX  
Paul Baumgardner, W5PSB  
Greg Jurrens, WD0ACD  
Gerry Creager, N5JXS  
Jay Maynard, K5ZC  
Bill Lawless, W5WRL  
John Johnson, N5NH  
John Johnson, N5NH

\*Denotes a permanent committee of the Society

The Texas VHF-FM Society NEWS is published by and for the membership. Articles are encouraged and accepted that express views or information pertaining to the interest of Amateur Radio. The Texas VHF-FM Society NEWS reserves the right to edit material submitted with respect to suitability, style and format. Views and opinions expressed in the NEWS, unless specifically noted, do not necessarily represent those of the Directors of the Texas VHF-FM Society, Inc. Permission is hereby granted to reproduce any part or all of this publication provided that the Texas VHF-FM Society NEWS is acknowledged as the source. Copies of the By-Laws and Articles of Incorporation of the Texas VHF-FM Society are available from the Secretary upon request and may also be viewed online at [www.txvhffm.org](http://www.txvhffm.org).

## Coordinators



## Corner

### 2004 Renewals

The 2004 Renewals made it out into the mail around the end of September. For the first time since 1992, the renewals were all printed, folded and mailed from one coordinator. Dave Davis, WB5WIA, the new Zone 1-144 MHz coordinator and recently elected Director, took on the task of the annual renewals. This was a very arduous task as Dave had to process some 1200 renewals as opposed to the 200 he would typically mail. Thank you very much for stepping up and getting this project accomplished.

We had intended to get these out a little earlier in September and include an envelope for return mail, both didn't happen as planned. We apologize for any inconvenience that this may have caused.

Please make sure that your information is correct and return the coordination to the appropriate Coordinator.

### Poll of Vested Members

All repeater trustees, whether regular or vested members, will be soon receiving a non-binding poll questionnaire to determine favorability of the two Standards of Frequency Coordination and one By-Laws change that has been presented for regular membership vote. We want to hear your opinion prior to conducting the vote. Please carefully consider these changes.

Also, please be aware that your Board of Directors has recommended against the Standards of Frequency Coordination Change. The Board has not made a formal position on the By-Law Change.

Please read and follow the instructions on the Poll so that your opinion can be counted.

### Coordination

Coordination is an interesting word. The first definition from a Webster's Dictionary is "the act of coordinating or state of being coordinate". The second definition is "the coordinated functioning of muscles in the execution of a complex task". This applies to the Society because we complete Coordination functions for FM Repeaters. We must coordinate together and we must execute a complex task in doing so. We have to communicate among the trustees and coordinating body to accomplish the task. Both sides are required. The trustees must communicate and work with the Coordinators and the Coordinators must work with the trustees and applicants.

Coordination is not a clean process. Many times it can be a muddy road or even get bogged down. The coordinators are volunteers who have agreed to be coordinators. The trustees are amateurs who, by undertaking the coordination process, have agreed to work with the coordinators. We cannot get this task accomplished alone. We have to work together. We have to work smart.

Coordination is a voluntary process. By participating in coordination, we minimize the chance for interference and heartache between trustees. Sites and equipment are very expensive to acquire and maintain—by coordinating, these can have a better chance of working as expected.

---

### Zone 1 - 2 Meters

*Dave Davis, WB5WIA, Zone 1 2m Frequency Coordinator  
zone1-2m@txvhffm.org*

I am in the middle of the rushed renewal cycle as the deadline for this column comes by. Just some numbers for reference, in Zone 1 2 meters we have 182 systems marked as "on air". I have received 87 renewals back for this year, and I've had 10 returned for some reason or another. Of the 10 returns, one ham is SK, two have new addresses in the ULS database, two were clubs that had email addresses in QRZ and have new trustees, and the remaining are bad addresses, both with our database and the FCC. I also have a whopping 45 systems that have not filed renewals in this millennium.

Now, on to the good news: There have been two systems complete their construction permits and become operational. Please welcome N5IUF/r on 147.22+100.0 in Collinsville, in far North Texas. This machine has already been gathering a reputation as a blowtorch, so give it a shout. Also, please welcome W5EBQ/r on 146.700- 110.9 from Dallas. This is an open repeater, with an emphasis on public service for the Park Cities.

We still have several hams on the waiting list, and I am committed to finding frequencies for these systems as soon as the paperwork process will let me get them.

Until the next newsletter... de WB5WIA

---

### Zone 1 Other bands (29, 50, 222, 900, 1240, 2400 and ATV)

*Paul Baumgardner, W5PSB, Zone 1 Frequency Coordinator  
zone1-other@txvhffm.org*

There has been very little activity in the 29, 50, 222, 420, 902, 1200, 2400 and ATV coordination areas.

The following new construction permits have been issued:

Callsign	Location	Output
AD5KZ	Fort Worth	1293.300
K5DOH	Venus	1292.98
N9TY	Dallas	224.38
KD6FWD	Mesquite	224.24

Renewals have started coming in and will be entered into the database. If you have not sent in your renewal, please do so. Thank you.

**Zone 1 - 440**

*Chris Hudgins, N5IUF, Zone 1 440 Frequency Coordinator  
zone1-440@txvhffm.org*

I am just getting off the ground for Zone 1, 440. I appreciate everyone's patience while I come up to speed.

Renewals were sent out around the end of September. Many thanks to Dave Davis for handling all of the printing, stuffing, and mailing of the renewals this year. That was a huge project.

To date, I have received 119 renewals back from trustees. This is less than 50% returned so far. If you received your renewal, and have not had a chance to return it, please verify/update the information ASAP and return it. Don't forget to include your current email address. This year we have a much earlier date to submit data to the ARRL for the ARRL Repeater Directory.

If you did not receive a renewal, please contact me ASAP, preferably by email, and I will send out a new one.

Only one new application has been processed since I have started:

Callsign	Location	Output	Notes
K5BWD	Brownwood	444.700	OT 94.8

Chris Hudgins, N5IUF

**Zone 2**

*Eric Schmidt, KA5WMY, Zone 2 Frequency Coordinator  
zone2@txvhffm.org*

The repeater renewals for Zone 2 were mailed on Sept 27<sup>th</sup> with the return deadline set for October 25<sup>th</sup>. I have provided confirmation via email for all renewals I have received that contain a valid email address. This is an easy and cost effective way for you to be certain that your repeater renewal was received and recorded.

If you have not yet received your renewal and your repeater is in Zone 2, please contact me at ka5wmy@arrl.net or 979-849-7703. So far I have received several letters returned stamped "not deliverable" due to incorrect addresses. These letters are being re-mailed to the address listed in the FCC database.

If you need to change a technical parameter or change the trustee of a club repeater please download the correct forms from the Society webpage link to request approval for the change in coordination parameters.

There are currently fourteen active construction permit applications in Zone 2 with no new coordinations issued since the last newsletter.

Finally with the recent increase in construction permit applications, the following waiting list for Zone 2 has accrued. A detailed explanation of the waiting list description and process appears on the Society website. If you know of a repeater in your area that is listed in the directory but has not been on the air for some time, please download a copy of the "on-air status" form from our website. This form allows you to report on the on-air status of repeaters in your area and helps me to clear up any "paper" repeaters.

**Zone 2 Coordination Waiting List**

Callsign	Location	Band	Application Date
WA5SIX	Channelview	2m	4/17/2004
KD5HHW	Magnolia	2m	5/11/2004

Feel free to contact me if you are interested in constructing a repeater in Zone 2. Repeater construction permit applications are available for our website and can also be sent via the U.S. mail. A completed application is required before a construction permit can be issued. My contact information is printed on our website.

73, Eric Schmidt, KA5WMY  
Zone 2 Frequency Coordinator

**Zone 3**

*Richard Norton, W5FRO, Zone 3 Frequency Coordinator  
zone3@txvhffm.org*

Zone 3 has completed the renewal period for this year.

The main problem, as in years past, has been addresses. Trustees do not keep their coordinators informed when they change address. Please help us to coordinate by keeping your coordinator informed as to your current mailing address.

I want to thank those trustees who have replied so promptly this year. It has been an easy task to simply mail out the forms and have them returned by fax and the postal service.

Keep up the great work, Zone 3.

Richard Norton, W5FRO  
Zone 3 Coordinator

**Zone 5**

*Bill Lawless, W5WRL, Zone 5 Frequency Coordinator  
zone5@txvhffm.org*

Greetings from West Texas. So far I have received the following:

- Renewals received - 112
- Return to sender - 16
- Total repeaters coordinated in Zone 5 - 278

Folks we have a ways to go. I appreciate those who have taken

the few minutes that it takes to fill out the renewal paperwork. I want to encourage you that have not, to do so. If you have not received your renewal paperwork please let me know and I will get yours to you. My contact information is on the Texas VHF FM Society website.

This past year there were a few requests for coordinations from folks in Abilene. There were enough requests that it made a few folks take notice of the renewed repeater activity there. I had the opportunity to talk to 3 fellows of the Big Country Amateur Radio Net (BCARN) who have interesting projects underway.

Gary Peterson, NZ5V has nearly completed a 6m repeater. What is unusual is that he is building his own duplexers from irrigation pipe. I saw the first cavity at the Abilene swap fest and I was impressed.

Charles Blythe, KD5TKR, is building a UHF repeater that will be co-located with the NZ5V 6m repeater, and it's 10m FM remote base. He is also involved with KJ5CQ, John Kilgore in Sweetwater, building a full duplex link from Sweetwater to Abilene, using John's local coverage 2m repeater as a Sweetwater output.

Joe Peterson, KD5YCY, the founder of BCARN, has built one of the best UHF repeaters (covering all of 9 and parts of 15 counties), and it co-hosts an active set of very well run linked repeater nets connecting Abilene, Brownwood & Dublin (Comanche-Stephenville) areas with 20-35 check-in's two times a week. Joe has active efforts underway to create full duplex links to replace the remote base used now for the high traffic links. Later, a 220MHz. repeater is planned, on the same tower as the Abilene UHF repeater.

I would encourage you to visit the BCARN web site at [www.bcarn.net](http://www.bcarn.net). Take a look at the current project links, you might just get inspired.

Cheers,  
Bill Lawless - W5WRL

**TEXAS VHF FM SOCIETY PURPOSE**

*excerpted from the By-Laws*

1. Render public service through amateur radio
2. Gather and disseminate information about FM repeater operation
3. Establish standards for FM repeater operation
4. Associate with similar groups to exchange information
5. Encourage experimentation among FM repeater operators
6. Communicate with members about Society activities
7. Provide Coordination Services to FM repeater users

***The Technical Committee Is Looking For A Few Good Hams***

Greg Jurrens, W0ACD  
Technical Committee Chairman

Are you a techno-geek, a nerd, a tinkerer, an RF deity, a hobbyist, a builder, a tweaker, or a rocket scientist? Do you have a passion for what makes VHF radio work? Do you have a pulse, can fog a mirror, and are a member in good standing of the TX VHF-FM Society? If the answer is YES, then the Technical Committee **NEEDS YOU!**

The TX VHF-FM Society Technical Committee is expanding and we are looking for active, interested members to join the fun. Our mission is simple but very important:

*"The mission of the Technical Committee of the Texas VHF-FM Society is to promote advancement of the radio art within the VHF spectrum in Texas, to provide support to the coordinators and coordination process for technical issues, to maintain the Society's "Technical Standards for Frequency Coordination", and to advocate to the amateur community on behalf of the Society regarding issues that impact the VHF spectrum in Texas."*

Ideally, we are looking for a representative from each of the Coordination Zones (check the Zone Map at [www.txvhffm.org/images/cordzone.gif](http://www.txvhffm.org/images/cordzone.gif)), preferably a repeater builder/operator/trustee; plus at-large representatives from each of the "Special Interest Groups" that share the VHF spectrum in Texas. We need hams that enjoy various modes like weak signal, APRS, satellite, digital repeaters, ATV, linking, moon bounce, and oh yeah, good ole' FM. We will meet quarterly and keep in regular communications via radio and email. Along with providing ongoing technical support to the frequency coordination team, we have several tasks waiting including evaluating the current TX band plans to make sure we are accommodating all the new modes, and revisiting the Technical Standards for Frequency Coordination.

If you are interested in becoming an active member of the Technical Committee, please send your Ham Radio resume to [tech@txvhffm.org](mailto:tech@txvhffm.org). Be sure to include any work or school-related technical skills and interests that would benefit the committee. Together, we can make an impact on VHF radio in Texas.

**E-NEWS IS HERE !**

Prefer your news via email instead of regular mail? Then sign up for E-NEWS at

[www.txvhffm.org](http://www.txvhffm.org)



**WANTED**  
**Future Meeting**  
**Sites**

The Texas VHF-FM Society is looking for suitable locations for future meetings, so we can visit parts of the state not seen in a while. If your club/hamfest is interested in hosting a meeting then please contact a Director and tell us to "Bring it On!" Please see the Meeting Guidelines at [www.txvhffm.org](http://www.txvhffm.org) for more details.

## 40th Anniversary of the Texas VHF-FM Society

That's right, almost 40 years ago on August 8, 1965 in Austin, TX the Texas VHF-FM Society was formed. Next year is rapidly approaching and we are making plans to remember and celebrate the last 40 years. Plans for different activities to commemorate our anniversary are being made and we would certainly appreciate your input. Have some old stories or pictures you would like to share from the early days of the Society? Please let us know! One of the activities that has been suggested is a resurrection of the "Oldest Radio" contest, so I'm sure you will want to dust off and warm up those tubes! Have other ideas or would like to help out? Please send us and email!

73 from your 40th Anniversary Co-Chairs:

Merle Taylor, WB5EPI    [merle@rockinmesquite.com](mailto:merle@rockinmesquite.com)  
 Eric Schmidt, KA5WMY    [ka5wmy@arrl.net](mailto:ka5wmy@arrl.net)

### Minutes from Board of Directors Meeting June 19, 2004

*Submitted by Melissa Rasmussen, KM5R, Secretary*

Dir Schmidt opened meeting at 6:06pm with 8 board members present. Louis Bancook was absent. Louis Petit moved to accept the last meeting minutes as stated in the newsletter. Paul Baumgardner 2<sup>nd</sup> the motion. Discussion followed.

Dir Stevenson asked when the board meeting part of the February session was announced. Dir Schmidt stated it was an executive "board meeting" not an "executive session." Dir Stevenson argued that none of the members were notified, so it was illegal, and the minutes should be removed. Dir Petit stated there were general members (Larry Pollock and Dave Davis) in attendance. Dir Hudgins stated he was informed there was an executive session only, not a board meeting, and that he would have attended the board meeting had he known there would be one. Dir Schmidt asked all in favor to accept the minutes as published. Five board members for accepting the minutes, Dir Stevenson and Dir Hudgins were opposed. The minutes were approved.

Dir Schmidt gave the Financial Report in Dir Bancook's absence. Checking balance 5,683.73 CD savings balance 31,100.97 as of 6/18. Due to Dir Bancook's absence, there was no approval of the financial report.

ARRL North Texas Section Manager Roy Rabey requested time to speak. He stated he's the official liaison between the ARRL and TX VHF FM Society. He wanted to dispel the rumor that the ARRL wants to take over the Society. Mr. Rabey stated Dir Reasoner contacted Coy Day at Ham-Com and made a formal complaint saying this. Mr. Rabey asked if Dir Reasoner was directed to make this complaint by the board, or if Dir Reasoner did this on his own. Mr. Rabey stated that he had discussed this issue in the past directly with Dir Reasoner and thought the issue was resolved. Mr. Rabey stated that he wanted the board of directors to know that the ARRL does not want to take over the Society and that he would support the organization in any way possible. Dir Reasoner stated he was just stating his opinions to Mr. Day, and it wasn't anything the board requested him to do.

Dir Schmidt gave the audit report. Dir Reasoner moved this be presented to the general membership at summer meeting. Dir Johnson seconded it.

Dir Petit asked if the waiting list was online for repeater coordination. Dir Reasoner stated it was online.

Dir Petit stated he got to address the Texas Hurricane conference in south Texas to promote ham radio. He was trying to get organizations to utilize ham radio ahead of time for storms and such. There were lots of emergency management officials from all over TX.

Dir Baumgardner stated his main objectives have been working on the database committee – trying to make it work with the membership database and financial database. He stated they

were trying to have one robust system that takes care of everything.

Dir Johnson stated the summer newsletter is 75% done. He stated it would be sent out the following day for review.

Dir Reasoner said he got the coordination waiting list up on website; everything else he's been working on has been routine coordination issues.

Dir Stevenson had been researching specific coordination issues until the research was tabled by the President.

Dir Hudgins had been reviewing proposals made by various directors.

Dir Rasmussen had been working on keeping the membership database up to date.

Bill Lawless had been giving talks to El Paso and Midland about the FM Society. Bill stated he'd collected 7 renewals for the El Paso talk. Both meetings were received well.

Dir Johnson stated he wanted to declare the next newsletter deadline Aug 27<sup>th</sup>.

### **Old Business**

Membership survey status – results should be in the fall meeting. 38 of 1000 surveys had been returned. Dir Stevenson asked about control numbers on the surveys. Dir Hudgins added all the control labels were supposed to be on the survey results, so the results wouldn't be tampered with. Dir Schmidt stated he wasn't ever informed about that, and didn't put any control numbers on the surveys. Dir Hudgins made a motion the survey is void, because nobody can guarantee these results weren't tampered with. Dir Stevenson 2<sup>nd</sup> the motion. Dave Davis suggested amendment to motion that all the work on the surveys be void now, so nobody wastes time on tallying them. Due to miscommunication to the printer with the staff and the small number of returns it's not significant – the BoD makes this null and void and come back with another in the future. Dir Stevenson 2<sup>nd</sup> the motion. Motion passed.

Dir Baumgardner made a motion we discharge the survey committee and reform it in August after the new board is elected. Dir Petit seconded the motion. Dir Hudgins and Dir Stevenson opposed the motion. Motion passed.

The motion by Billy McDonald asking for a dues increase to 20 dollars, later amended to 15 dollars, was brought up. Board asked to delay for another year to see what spending was like. Dir Schmidt made a motion that dues increase be delayed another year. Dir Reasoner 2<sup>nd</sup> the motion. Dir Stevenson stated the proposed budget was negative, he didn't want to approve a negative budget. Dir Schmidt said the spending wasn't negative. Dir Stevenson doesn't want to go to the membership and say we could keep the dues the same, if we don't have a balanced budget. Dir Petit asked when the membership approved it. He said we can go back again and ask the membership to

delay it again if we don't need the dues increase.

Dir Schmidt stated we needed to select a site and alternate for the winter 2005 meeting. He suggested we select UTA as primary site depending on availability also select an alternate. Dir Reasoner said there'd been some suggestion of Midland hosting it. Discussion continued on possible sites and dates. Michael Lay N5PTN said the Brazos Valley swapfest in March had some good meeting rooms. Dave Davis said it'd be the middle or end of Aug before they knew for sure whether we could get the UTA site or not. Decision was made to wait till August to decide a place.

Dir Schmidt brought up discussion regarding Dir Rasmussen's NAD 83 proposal. Dir Reasoner stated this wasn't necessary and he thought it would do nothing but add confusion. Discussion continued as to whether this was needed or not. Dir Johnson moved to tell the membership that the board opposed the proposal. Dir Baumgardner 2<sup>nd</sup> the motion.

Dir Schmidt then brought up Dir Stevenson's proposal to add band plans to the standards of frequency coordination. Dir Reasoner moved that the board oppose it, Dir Johnson 2<sup>nd</sup> the motion. Dir Stevenson stated it gave the membership the control of the spectrum since it puts it in a controlled document. Dir Petit said it'd take more than a year to change things if we put this into the SFC. Without this change, the band plan can be changed at one meeting. Motion passed that the board oppose this proposal.

### **New Business**

Dir Baumgardner made a motion to get the President to produce a balanced budget for presentation to the BoD prior to July 1<sup>st</sup> for concurrence then presentation to membership at summer meeting. Dir Stevenson seconded it. No opposed – motion passed.

Dir Schmidt brought up discussion regarding Dir Stevenson's request for coordination information. Dir Schmidt said the board needs to discuss the request. Dir Stevenson stated the NDA was not in place in time for him to attend the audit and obtain the info he was after. Dir Schmidt stated it was and was there at the time of the audit. Dir Hudgins argued it was not in place in time for proper legal council to review it.

Dir Baumgardner made a motion to ask Dir Stevenson what the exact issues are so the board can assist in fixing those problems. No second, motion is off the floor. Dir Rasmussen made a motion to allow Dir Stevenson to get with Larry Pollock to arrange a time to view the information he needs to proceed with looking into his issues. Dir Hudgins 2<sup>nd</sup> the motion. Motion passed.

Dir Schmidt reviewed the proposed process for voting for the upcoming election. Dir Stevenson asked if anyone could view the vote counting. Discussion followed, decision was yes. Dir Petit added that any life member voting, should bring their life member card or badge to save the secretary time in checking memberships. Dir Schmidt made a motion to accept proposed



election process, Dir Baumgardner 2<sup>nd</sup> it Motion passes unanimously.

Summer meeting time is 9AM-11AM. Discussion followed as to whether to ask for morning or afternoon meeting. Decision was made to stay with morning meeting.

Dir Stevenson made a motion to move the board meeting (audit) conducted on Feb 7<sup>th</sup> as illegal. Dir Schmidt said the motion was out of order because it's not factual.

Dir Hudgins wanted to discuss the formal complaint the state frequency coordinator made to the ARRL. Dir Baumgardner moved to move to executive session. Dir Johnson seconded it. Dir's Hudgins, Stevenson and Rasmussen opposed it. Motion passed.

Board moved to executive session.

### Minutes from Board of Directors Meeting October 2, 2004

*Submitted by Dave Davis, WB5WIA, Director  
acting for Secretary Rasmussen*

Directors present: Baumgardner, Johnson, Hudgins, Reasoner, Davis, Petit. Directors absent: Rasmussen, Bancook, Steven-son. There were several members and guests present.

Meeting called to order with a quorum at 10:38am.

Director Reasoner moved to adopt the proposed meeting agenda, Director Johnson seconded, and the motion passed. No minutes were available for review, item tabled until next meeting. (Secretary Rasmussen was ill and unable to attend.) There was no financial information available, item tabled until next meeting. (Treasurer Bancook was unable to attend due to a work conflict.)

Director Reasoner (the state frequency coordinator) advised that he intended to sign the agreement with ARRL for our business relationship concerning repeater listings. He indicated that the agreement's only changes from the previous year were in the specific due dates for material. The board discussed the issue and agreed that it was appropriate to sign the agreement.

The Bylaws need to be amended to add the Database Committee as a permanent Committee. The board agreed and directed the president to proceed with preparing the change for review by the board at the next meeting. There was a comment that the Database committee had identified several points in the bylaws where there were changes that might be made to change the Society's business model to adapt to a modern database system. No action was taken on this notice, and the committee was directed to continue its work, and present a recommended list of changes at a future meeting.

### DIRECTORS' REPORTS

Director Davis: He mentioned seeing the new Icom D-Star digital radios in a VHF/UHF version at a recent meeting. He advised that he had initiated discussion with the Icom representatives to acquire a test repeater for the VHF system with the idea to investigate how the D-Star digital radios would work on the 10 KHz split channels in crowded metropolitan areas.

Director Reasoner: The ARRL has pushed the due date for the repeater data forward by 3 months in this cycle, with the data being due on 12/1/2004. This was causing the coordinators to accelerate the renewal cycle, but he saw no insurmountable problems meeting that deadline. The Society website has had several new additions, with the ability to search by frequency being the most visible one. He thanked Ronnie Franklin WD5GIC for his help in implementing the search.

Director Petit: No activity to report

Director Hudgins: No activity to report

Director Johnson: The most recent edition of the newsletter was the first that used electronic distribution. There was a problem with only 1 of the 43 recipients that had requested electronic delivery. The electronic version was produced with a registered copy of Adobe Acrobat that was set to not allow internal changes. The next edition of the newsletter will also use email delivery for distribution. Director Davis requested that the newsletter be emailed to every email address in the frequency coordination database.

Director Baumgardner: He has conducted several personal and telephone meetings with the directors over the past 2 months. He has requested a ruling on a parliamentary question from N5JXS. The text of this email was distributed to the board and is reproduced here:

*Subject: Presiding at board meetings:  
Date: Mon, 20 Sep 2004 10:52:17 -0500  
From: Gerry Creager n5jxs <gerry.creager@tamu.edu>  
Organization: AATLT, Texas A&M University  
To: President@txvhffm.org*

*Per your request, I have researched the pertinent rules regarding the actions of the President of the Society with regard to presiding at Society and Board meetings. By way of addendum, Robert's Rules are generally silent on the matter. However, in general terms, responsibilities and privileges of officers are specified in organizations' bylaws, and the Society is consistent in this matter. Regardless, by having specific mention of the roles and responsibilities of the President with regard to presiding at meetings, Robert's Rules of Order are effectively superseded.*

*Bylaws of the Texas VHF-FM Society, Article 4 Paragraph 2 (4.2), President (as excerpted from the bylaws in tact):*

*4.2 PRESIDENT. The President shall preside at all meetings of the Society membership and all Director's meetings. He shall be an ex-officio member of all Society committees. He must sign all authorized contracts and other obligations and undertakings in the name of and on behalf of the Society. He*

shall be the principal officer of the Society and shall have general charge of and supervision of the Society's affairs. He shall perform such other duties as may from time to time be assigned him by the Board of Directors. The President may delegate any specific signatory power to another Director.

Respectfully,  
Gerry Creager N5JXS  
Parliamentarian

Director Petit indicated that the local constitution superseded Robert's Rules of order on any points that are specifically addressed in the constitution, and with no specific reference to any specific edition, the most current version of RRoO will be deemed to be the governing version.

Director Hancock: (this report was given by Member Greg Jurrens, WD0ACD) The society has renewed the official society club call sign (W5OGZ) and Member Jay Maynard K5ZC is the trustee.

### COMMITTEE REPORTS

Frequency Coordination: Director Reasoner, K5SXX  
Renewals were mailed on Monday, September 27, 2004 and several frequency coordinators reported having already received several completed forms. The President recognized the frequency coordinators that were present for the meeting: George Fink, K5GWF, Eric Schmidt, KA5WMY, Paul Baumgardner W5PSB, Chris Hudgins N5IUF, Dave Davis WB5WIA.

There was a recognition from Roy Rabey AD5KZ, the ARRL Section Manager thanking Dave Davis WB5WIA, Zone 1- 2 meter coordinator, for his help in resolving a problem with an amateur repeater in Oklahoma.

There is good progress in making Society email addresses available for all the frequency coordinators. There was discussion on the best way for the coordinators to access the email, and the conclusion was that the current system is adaptable enough for each coordinator's preferences.

Technical Committee: Member Greg Jurrens, WD0ACD  
Greg proposed a mission statement for the revitalized technical committee.

*The mission of the Technical Committee of the Texas VHF-FM Society is to promote advancement of the radio art within the VHF spectrum in Texas, to provide support to the coordinators and coordination process for technical issues, to maintain the Society's "Technical Standards for Frequency Coordination", and to advocate to the amateur community on behalf of the Society regarding issues that impact the VHF spectrum in Texas.*

### NEAR TERM GOALS

1. Recruit a team of active Technical Committee members from a diverse cross section of the VHF amateur community. Each committee member will be a member in good standing of



### UPCOMING EVENTS

Winter-Com 2005 Arlington	Jan 15
Georgetown Sunday Swapfest	Feb 6
Brazos Valley ARC Swapfest	Mar 5
Irving ARC Hamfest	Mar 12
Belton Swapfest	Apr 30

the Society. As a guideline, recruiting will be as follows: (6 months)

- A. One repeater trustee from each coordination zone within the state.
  - B. A representative for each special interest segment using VHF frequencies in Texas.
2. Begin the review process of the existing "Technical Standards for Coordination" and prepare a report to the Society Board (12 months)
  3. Facilitate the Publication of a 'Tech Note' article for the Society Newsletter (Ongoing, Quarterly)

### ACTIVITIES

1. Completed Mission Statement / Goals report and submit to BOD by Belton (10/04)
2. Worked with a team of Austin hams to track down and eliminate a wideband noise source that was interfering with multiple UHF link frequencies. (Note, will try to get WD5IYT, team leader to write up 'tech note' article on the chase.
3. APRS presentation to SARO Club in San Antonio

### CALL FOR ACTION

1. Need recruits for Technical Committee.
2. Establish and post Technical committee remailer and email address.

He will begin recruiting members from all activities in the VHF/UHF spectrum, including weak signal, digital, and fm experts. He requested a remailer be created for this committee. Director and Webmaster Reasoner said he would facilitate that remailer. Director Petit volunteered to contribute information on climbing and fall safety to the committee and the Society.

Publications Committee: Director Johnson N5NH  
Deadline for next newsletter is Oct 15, will be mailed by Nov 12.

Database Committee: (report by President Baumgardner W5PSB) The Database Committee had a long meeting two weeks ago and begun establishment of specifications for database. (minutes of this committee meeting were not available). Next meeting was scheduled for 10/2/04 at 2pm.

Survey Committee: Director Johnson N5NH  
He has begun re-forming committee, with committee expected to be formed and functional by the end of October. He has agreed to present the survey to the Board at the next scheduled

meeting. Timetable for delivering survey has the mailout being sent between April 1 and 15, with the return being set for 1 month after the mailout.

### OLD BUSINESS

**Audit by Directors Hudgins, Rasmussen, and Stevenson**  
Director Hudgins reported that there was no report from this committee, and that this action was a "record inspection" instead of an "audit". Director Hudgins stated that he had no remaining action items from this inspection, but that he could not speak for the other absent directors. The item was tabled pending a report from the remainder of the directors.

**Poll of Vested Members on SFC and By-Laws Changes (items were a specification of the method of reporting coordinates, changes in the definition of the band plans, and the confidentiality agreement proposed by member Chuck Adams, N5UN).**  
Due to time and work constraints, the poll was not included in the recent mass repeater coordination renewal mailing. Director Hudgins will facilitate the mailing of this poll. Poll is due to be prepared for presentation to the board by 10/31/04 and to be presented to the board via email before the next scheduled meeting.

There was additional discussion, and the previous point was rescinded. The current plan is now to include the poll in the next newsletter, with a separate mailing to the vested members that would not normally receive the newsletter. Director Johnson will coordinate the poll inclusion in the newsletter, with Directors Hudgins preparing the poll, and Director Reasoner to provide the vested member addresses.

There was a question of whether the membership had been advised of these questions. Copies of the most recent newsletter were distributed to the attendees and the discussion article was reviewed. The board determined that this was sufficient notice of the points to allow for a valid poll. Member Greg Jurrens WD0ACD enquired whether this poll would allow comments to each item, or whether there would be only binary answers. The board discussed this issue and determined that this poll would only allow binary (yes/no) with a non-tabulated space for comments on the bottom of this form.

Director Petit moved and Director Reasoner seconded the motion to have the winter board meeting in conjunction with the Arlington Wintercom meeting. Wintercom is scheduled for January 15, 2005. Exact time and date of the general meeting is TBD. The motion passed unanimously.

Director Davis moved and Director Petit seconded the motion to have the summer 2005 meeting in conjunction with Austin Summerfest. Exact time and date of the general meeting is TBD. The motion passed unanimously.

The board agreed that there would be a board meeting in conjunction with the winter meeting in Arlington, time TBD. There was a suggestion to have a board meeting in West Texas, in conjunction with the Midland Hamfest on March 15. The consensus was that this date was too close to the winter meet-

ing. The board then decided to schedule a board meeting in conjunction with Hamcom in Arlington in June. The board may also schedule a meeting somewhere in between the January and June dates, with the Belton hamfest on April 30 as a suggestion.

### NEW BUSINESS

SFC Reasoner reminded the board of the new deadlines for submission to the ARRL for the repeater directory.

Director Johnson requests that all the Frequency Coordinators follow a similar style when reporting repeater activity. SFC Reasoner agreed to develop a style and encourage the various coordinators to use this form when writing their articles.

Director Reasoner reported on the Search by Frequency on the website. There is work ongoing to allow "search by zipcode". Several directors expressed concern over this search function. Director Reasoner agreed with the concern, and stated that the search would not allow enough wild cards to allow people to harvest the database, and that the range would be limited to a maximum of 50 miles. Zone 2 Coordinator Eric Schmidt KA5WMY asked if no-list or construction permit machines would be returned with this search. Director Reasoner responded that only active, on-air machines would be included in this search. Director Reasoner noted that the search is not a true search by zipcode. It is a city search which also lists repeaters within a certain distance of the city using zip codes to define repeater locations instead of the exact locations.

Tech Committee Chair Jurrens volunteered the Tech Committee to sponsor several contests at the 40<sup>th</sup> Anniversary celebration, including an "oldest radio" contest. President Baumgardner has appointed Merle Taylor WB5EPI and Eric Schmidt KA5MVY the co-chairs for this event. The event will be held in conjunction with the summer 2005 meeting in Austin.

President Baumgardner indicated that the Society has not performed a financial audit recently and that he would take an action item to see that this was accomplished in a timely manner.

Director Petit moved and Director Johnson seconded the motion to adjourn. The motion passed at 12:17pm.

### **Society Database Committee Report**

*Paul Baumgardner, W5PSB, President*

The committee has had several formal meeting since the August Meeting. The purpose has been to work through structure and layout and relationship between the various data items in the Coordination and Membership modules of the database. We will have a report on status at the Winter Meeting. Thank you to Steve Hicks, N5AC for stepping in to organize the recent meetings.

## An Automatic Transmission for the Astron Power Supply

*Mike Baker, W8CM*

About once a year, I get to travel to a repeater site to find out why it is off the air. Invariably, when I get there I find out that there had been a 'glitch' in the 110 Volt AC power that had caused the system's Astron 12 Volt DC power supply to shut down. After the system then used up the backup battery's charge, the Low Voltage Disconnect circuit had done its duty and turned off the repeater to prevent any damage to the battery and/or transmission of poor quality signals on the air by the radio.

Now, don't get me wrong; the Astron linear-regulated power supply is a very popular unit, works well, and is economical. It also has a VERY effective and fast acting internal protection circuit. Once this circuit has triggered and shut down the output voltage, it is normally reset by flipping the power switch off for a couple seconds and turning it back on. When this happens, the Astron happily acts normally with regulated output voltage.

The only thing is, these things never happen at a convenient moment. Not to mention that during storms it would be nice if the power supply did not decide to turn itself off and the repeater system did not have to go on battery. What to do? Gee, it would be nice if I could be like the Yellow Sheets and "let my fingers do the walking" so the protection circuit would be reset without having to drive to the repeater site. Here's where the good folks at Astron get their gold star and merit badge: they have come up with an inexpensive and easy solution. I found out about this while reading through the web site [www.repeater-builder.com](http://www.repeater-builder.com).

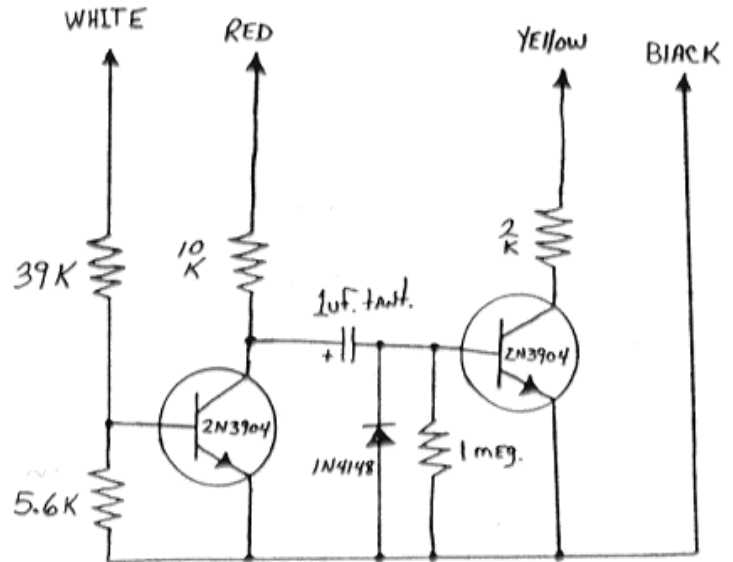
You can build the circuit yourself, or for only \$20 you can have Astron sell you one of their fully assembled printed circuit boards of the Over Voltage Protection Reset - 12volt (OVPR-12V). You won't find this in any Astron or ham dealer catalog; you have to know it is available. I bought several units directly from the Astron factory, but you might find other sources with a web search under that part number. I've installed this device into several Astron linear power supplies now, and it's like having an automatic transmission in my car; (1) glitch comes in, (2) power supply shuts down the output voltage, then (3) OVPR-12 resets the power supply to normal output voltage, and this all happens in the blink of an eye.

Installation is easy, as Astron provides clearly detailed written and illustrated instructions. The OVPR-12V pc board is mounted using an existing internal filter capacitor clamp's hardware and then four color-coded wires are soldered to the power supply regulator board. Of course, don't forget to UN-PLUG the AC cord while working inside the power supply! It is also a good idea to wait a little while after turning off the power supply, as those filter capacitors can hold a nice charge (read that, big spark!) after the AC is turned off.

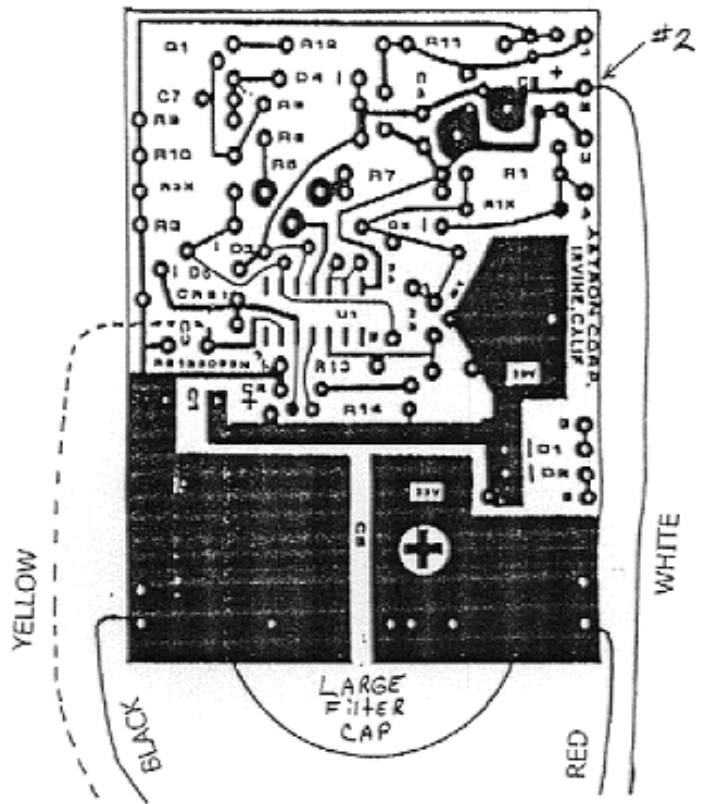
The OVPR-12V is a product of The Astron Corporation, Irvine, California 92618, 949-458-7277.

### Circuit and parts needed for Astron OVPR-12V

1N4148 is a general purpose switching diode; 1uF capacitor is tantalum; resistors ¼ or ½ watt, transistors are 2N3904 general purpose npn



Where to connect wires on Astron regulator p.c.b.:



## Certificate of Award

Presented to Mike Baker, W8CM, for  
the first technical article submitted  
to the NEWS in years!!!



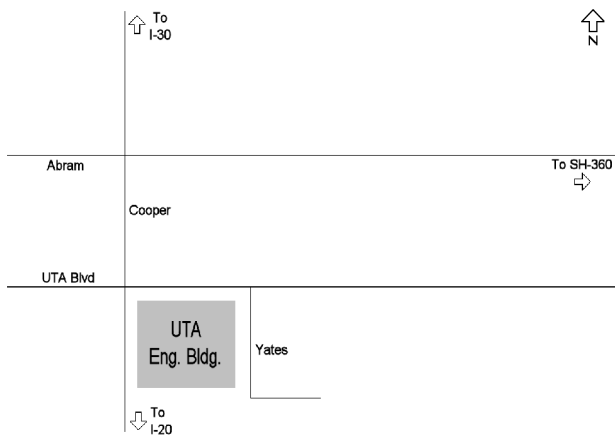


January 15, 2005  
 Hosted by: The College of Engineering  
 The University of Texas at Arlington

**Grand Door Prize  
 Dual Band HT**

**WinterCom '05**

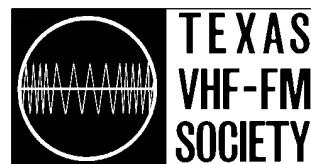
**The Winter 2005 Meeting of the Texas VHF-FM Society will be held on January 15, 2005, on the campus of the University of Texas at Arlington. To support this meeting, WinterCom and the Arlington Amateur Radio Club will be hosting a morning of technical sessions and an indoor swap meet. Table space is limited, so reserve your tables soon. The schedule of events and contact information will be continually updated on the WinterCom web site, [www.wintercom.org](http://www.wintercom.org)**



- Doors open for vendors at 7AM
- Doors open for public at 8AM
- Sessions are at 9AM and 10:30AM
- Door Prizes drawn throughout the morning
- Grand Prize Drawing at Noon
- Swap Meet closes at 1PM
- Society General Meeting at 1PM

**Preliminary  
 Session Topics Include:  
 Tower Climbing Safety  
 APRS  
 Repeater Forum  
 and more**

Talk in: 147.14 / 444.200



**\$1 Off**

**Regular Admission**

**Limit one coupon  
 per person**

**WinterCom '05**

**The Winter Meeting  
 January 15, 2005**

Hosted by: The College of Engineering  
 The University of Texas at Arlington